

Louisiana CSI, LLC

Shop Standards for Rectangular Duct
Based on 3rd Edition SMACNA Standards



Rectangular Duct and Fittings

- CSI rectangular galvanized ducts and fittings are fabricated from galvanized steel per ASTM-A(), A568, A653, A924 and in accordance with the latest edition of SMACNA Duct Construction Standards using commercial grade lock forming G-90 Materials.
- Options of stainless steel, paint lock, black iron and other materials are available upon request.
- All ducts are beaded on 12" centers, with first bead 6" from end for extra strength.
- Standard duct lengths are 5'
- All slips and drives, nuts, bolts, gaskets, reinforcements and miscellaneous hardware included with duct work purchased.
- Duct can be prepared assembled or unassembled.

- Lined Ductwork- Is available in ½" or 1". Duct liner installed has been tested in accordance with the procedures set forth in NFPA-90A, by Underwriters Laboratories and the manufacturer of the duct liner material. Operating temperatures to 250° F, velocities up to 3,000 FPM. Flame retardant, water based adhesive, as well as spot welded pins, are used to adhere the duct liner to the duct wall. Approximate operating temperature for the adhesive is 30° to 160° F.

- All Ductwork is shipped wrapped in protective plastic film, and constructed in strict accordance with LA-CSI Clean Duct Standard

Louisiana CSI, LLC

Shop Standards for Rectangular Duct
Based on 3rd Edition SMACNA Standards



Static Pressure Class- 1"

MAX. WIDTH	CONNECTOR	Duct Lengths- Ga.				
		60 "	48 "	36 "	30 "	24 "
10 - DOWN "	FS/D	26	26	26	26	26
11 - 12 "	FS/D	26	26	26	26	26
13 - 14 "	FS/D	26	26	26	26	26
15 - 16 "	FS/D	26	26	26	26	26
17 - 18 "	TDF	26	26	26	26	26
19 - 20 "	TDF	26	26	26	26	26
21 - 22 "	TDF	26	26	26	26	26
23 - 24 "	TDF	26	26	26	26	26
25 - 26 "	TDF	26	26	26	26	26
27 - 28 "	TDF	26	26	26	26	26
29 - 30 "	TDF	26	26	26	26	26
31 - 36 "	TDF	26	26	26	26	26
37 - 42 "	TDF	24	24	26	26	26
43 - 48 "	TDF	22	24	24	24	26
49 - 54 "	TDF	22	22	24	24	24
55 - 60 "	TDF	24 MPT	22	22	24	24
61 - 72 "	TDF	22 MPT	22 MPT	22	22	22
73 - 84 "	TDF	20 MPT/JTR	20 MPT	20 MPT	20 MPT	22 MPT
85 - 96 "	TDF	20 - 2MPT	20 - 2MPT	20 MPT	20 MPT	22 MPT
97 - 108 "	TDF	18 MPT	18 MPT	18	18	18
109 - 120 "	TDF	18 MPT	18 MPT	18	18	18

Notes

LA-CSI rectangular galvanized ducts and fittings are fabricated using G-90-Lock Forming Quality
LA-CSI constructs ductwork and fittings in accordance with the latest SMACNA Standards.

- Seams** Pittsburgh
- Connectors** FS/D = Flat Slip and Drive
 TDF = T-25b Rolled Form Flange
- Reinforcement** MPT= Midpoint Tie Rod
 JTR= Joint Tie Rod

Louisiana CSI, LLC

Shop Standards for Rectangular Duct
Based on 3rd Edition SMACNA Standards



Static Pressure Class- 2"

MAX. WIDTH	CONNECTOR	Duct Lengths- Ga.				
		60"	48"	36"	30"	24"
10" - DOWN	FS/D	26	26	26	26	26
11 - 12"	FS/D	26	26	26	26	26
13 - 14"	ST-S/D	26	26	26	26	26
15 - 16"	ST-S/D	26	26	26	26	26
17 - 18"	TDF	26	26	26	26	26
19 - 20"	TDF	26	26	26	26	26
21 - 22"	TDF	26	26	26	26	26
23 - 24"	TDF	26	26	26	26	26
25 - 26"	TDF	26	26	26	26	26
27 - 28"	TDF	24	24	26	26	26
29 - 30"	TDF	24	24	26	26	26
31 - 36"	TDF	22	24	24	26	26
37 - 42"	TDF	24 MPT	22	24	24	24
43 - 48"	TDF	22 MPT	20	22	22	24
49 - 54"	TDF	22 MPT	22 MPT	20	22	22
55 - 60"	TDF	20 JTR	22 MPT	20	20	22
61 - 72"	TDF	20 MPT/JTR	20 JTR	20 MPT	22 JTR	22 JTR
73 - 84"	TDF	20 2MPT/JTR	20 JTR	20 MPT	20 JTR	20 JTR
85 - 96"	TDF	20 2MPT/JTR	20 2MPT/JTR	20 JTR	20 JTR	20 JTR
97 - 108"	TDF	18 MPT/JTR	18 MPT/JTR	18 MPT/JTR	18	18
109 - 120"	TDF	18 MPT/JTR	18 MPT/JTR	18 MPT/JTR	18 JTR	18

Notes

LA-CSI rectangular galvanized ducts and fittings are fabricated using G-90-Lock Forming Quality
LA-CSI constructs ductwork and fittings in accordance with the latest SMACNA Standards.

Seams Pittsburgh

Connectors FS/D = Flat Slip and Drive
TDF = T-25b Rolled Form Flange

Reinforcement MPT= Midpoint Tie Rod
JTR= Joint Tie Rod

Louisiana CSI, LLC

Shop Standards for Rectangular Duct
Based on 3rd Edition SMACNA Standards



Static Pressure Class- 3"

MAX. WIDTH	CONNECTOR	Duct Lengths- Ga.				
		60"	48"	36"	30"	24"
10" - DOWN	ST-S/D	26	26	26	26	26
11 - 12"	ST-S/D	26	26	26	26	26
13 - 14"	ST-S/D	24	26	26	26	26
15 - 16"	TDF	24	26	26	26	26
17 - 18"	TDF	24	24	26	26	26
19 - 20"	TDF	24	24	26	26	26
21 - 22"	TDF	24	24	26	26	26
23 - 24"	TDF	24	24	26	26	26
25 - 26"	TDF	24	24	26	26	26
27 - 28"	TDF	22	24	24	26	26
29 - 30"	TDF	22	24	24	24	26
31 - 36"	TDF	20	22	22	24	24
37 - 42"	TDF	22 MPT	24 MPT	22	22	24
43 - 48"	TDF	22 MPT/JTR	22 MPT	20	20	22
49 - 54"	TDF	22 MPT/JTR	20 MPT	20 MPT	20	20
55 - 60"	TDF	20 MPT/JTR	20 MPT	20 MPT	22 JTR	20
61 - 72"	TDF	20 2MPT/JTR	20 MPT/JTR	20 MPT	20 JTR	20 MPT
73 - 84"	TDF	20 2MPT/JTR	20 2MPT/JTR	18 MPT	20 JTR	20 JTR
85 - 96"	TDF	18 2MPT/JTR	20 2MPT/JTR	18 MPT	20 JTR	20 JTR
97 - 108"	TDF	18 MPT/JTR	18 MPT/JTR	18 MPT/JTR	18 JTR	18 JTR
109 - 120"	TDF	18 MPT/JTR	18 MPT/JTR	18 MPT/JTR	18 JTR	18 JTR

Notes

LA-CSI rectangular galvanized ducts and fittings are fabricated using G-90-Lock Forming Quality
LA-CSI constructs ductwork and fittings in accordance with the latest SMACNA Standards.

Seams Pittsburgh

Connectors FS/D = Flat Slip and Drive
TDF = T-25b Rolled Form Flange

Reinforcement MPT= Midpoint Tie Rod
JTR= Joint Tie Rod

Louisiana CSI, LLC

Shop Standards for Rectangular Duct
Based on 3rd Edition SMACNA Standards



Static Pressure Class- 4"

MAX. WIDTH	CONNECTOR	Duct Lengths- Ga.				
		60"	48"	36"	30"	24"
10" - DOWN	ST-S/D	26	26	26	26	26
11 - 12"	ST-S/D	26	26	26	26	26
13 - 14"	TDF	24	26	26	26	26
15 - 16"	TDF	24	26	26	26	26
17 - 18"	TDF	24	24	26	26	26
19 - 20"	TDF	24	24	26	26	26
21 - 22"	TDF	24	24	26	26	26
23 - 24"	TDF	22	24	24	26	26
25 - 26"	TDF	22	22	24	24	26
27 - 28"	TDF	22	22	24	24	26
29 - 30"	TDF	20	22	24	24	24
31 - 36"	TDF	22 MPT	24 MPT	22	24	24
37 - 42"	TDF	20 MPT	22 MPT	20	20	22
43 - 48"	TDF	20 MPT/JTR	20 MPT	20 MPT	20 MPT	20
49 - 54"	TDF	20 MPT/JTR	20 MPT/JTR	20 MPT	20 MPT	20 MPT
55 - 60"	TDF	20 MPT/JTR	20 MPT/JTR	20 MPT	20 MPT	20 MPT
61 - 72"	TDF	20 2MPT/JTR	20 MPT/JTR	18 JTR	20 MPT	20 MPT
73 - 84"	TDF	18 2MPT/JTR	18 MPT/JTR	18 JTR	18 JTR	20 JTR
85 - 96"	TDF	18 2MPT/JTR	18 2MPT/JTR	18 JTR	18 JTR	20 JTR
97 - 108"	TDF	18 MPT/JTR	18 MPT/JTR	18 MPT/JTR	18JTR	18 JTR
109 - 120"	TDF	18 MPT/JTR	18 MPT/JTR	18 MPT/JTR	18 JTR	18 JTR

Notes

LA-CSI rectangular galvanized ducts and fittings are fabricated using G-90-Lock Forming Quality
LA-CSI constructs ductwork and fittings in accordance with the latest SMACNA Standards.

Seams Pittsburgh

Connectors FS/D = Flat Slip and Drive
TDF = T-25b Rolled Form Flange

Reinforcement MPT= Midpoint Tie Rod
JTR= Joint Tie Rod

Louisiana CSI, LLC

Shop Standards for Rectangular Duct
Based on 3rd Edition SMACNA Standards



Static Pressure Class- 6"

MAX. WIDTH	CONNECTOR	Duct Lengths- Ga.				
		60"	48"	36"	30"	24"
10" - DOWN	ST-S/D	24	24	26	26	26
11 - 12"	ST-S/D	24	24	26	26	26
13 - 14"	TDF	22	24	26	26	26
15 - 16"	TDF	22	24	26	26	26
17 - 18"	TDF	22	24	26	26	26
19 - 20"	TDF	22	24	24	26	26
21 - 22"	TDF	22	22	24	24	26
23 - 24"	TDF	22	22	24	24	24
25 - 26"	TDF	20	22	22	24	24
27 - 28"	TDF	22 MPT	20	22	22	24
29 - 30"	TDF	22 MPT	20	22	22	24
31 - 36"	TDF	20 MPT	24 MPT	20 MPT	20	22
37 - 42"	TDF	20 MPT/JTR	22 MPT/JTR	20 MPT	20 MPT	20
43 - 48"	TDF	20 MPT/JTR	20 MPT/JTR	20 MPT	20 MPT	20 MPT
49 - 54"	TDF	20 MPT/JTR	20 MPT/JTR	20 MPT	20 MPT	20 MPT
55 - 60"	TDF	20 MPT/JTR	20 MPT/JTR	18 MPT	20 MPT	20 MPT
61 - 72"	TDF	18 MPT/JTR	18 MPT/JTR	18 MPT	18 MPT	18 MPT
73 - 84"	TDF	18 2MPT/JTR	18 2MPT/JTR	18 MPT	18 MPT	18 MPT
85 - 96"	TDF	16 MPT/JTR	18 MPT/JTR	16 JTR	16 JTR	18 JTR
97 - 108"	TDF	16 2MPT/JTR	18 MPT/JTR	16 JTR	16 JTR	18 JTR
109 - 120"	TDF	16 2MPT/2JTR	16 2MPT/2JTR	16 2MPT/2JTR	16 JTR	18 JTR

Notes

LA-CSI rectangular galvanized ducts and fittings are fabricated using G-90-Lock Forming Quality
LA-CSI constructs ductwork and fittings in accordance with the latest SMACNA Standards.

Seams Pittsburgh

Connectors FS/D = Flat Slip and Drive
TDF = T-25b Rolled Form Flange

Reinforcement MPT= Midpoint Tie Rod
JTR= Joint Tie Rod

Louisiana CSI, LLC

Shop Standards for Rectangular Duct
Based on 3rd Edition SMACNA Standards



Static Pressure Class- 10"

TDF - 10" W.G.		Duct Lengths- Ga.				
MAX. WIDTH	CONNECTOR	60"	48"	36"	30"	24"
8" - DOWN	ST-S/D	24	26	26	26	26
9 - 10"	ST-S/D	22	24	26	26	26
11 - 12"	ST-S/D	22	24	26	26	26
13 - 14"	TDF	20	22	24	26	26
15 - 16"	TDF	20	20	24	24	26
17 - 18"	TDF	20	20	24	24	26
19 - 20"	TDF	18	20	22	24	26
21 - 22"	TDF	18	20	22	22	24
23 - 24"	TDF	18	20 JTR	20	22	22
25 - 26"	TDF	18	20 JTR	20	22	22
27 - 28"	TDF	18 JTR	20 JTR	20 JTR	20	22
29 - 30"	TDF	18 JTR	18 JTR	20 JTR	20 JTR	20
31 - 36"	TDF	20 MPT	18	20	22	22
37 - 42"	TDF	20 MPT	18	18	20	22
43 - 48"	TDF	18 MPT	22 JTR	18 JTR	18	22
49 - 54"	TDF	18 MPT/JTR	20 MPT/JTR	18 JTR	18	20
55 - 60"	TDF	18 MPT/JTR	20 MPT/JTR	18 JTR	18 JTR	20
61 - 72"	TDF	18 MPT/JTR	18 MPT/JTR	18 MPT/JTR	16 JTR	18 JTR
73 - 84"	TDF	16 MPT/JTR	18 MPT/JTR	18 MPT/JTR	16 JTR	18 JTR
85 - 96"	TDF	16 MPT/JTR	16 MPT/JTR	16 MPT/JTR	16 JTR	16 JTR
97 - 108"	TDF	16 MPT/JTR	16 MPT/JTR	16 MPT/JTR	16 MPT/JTR	16 JTR
109 - 120"	TDF	16 MPT/JTR	16 2MPT/2JTR	16 2MPT/2JTR	16 MPT/JTR	16 JTR

Notes

LA-CSI rectangular galvanized ducts and fittings are fabricated using G-90-Lock Forming Quality
LA-CSI constructs ductwork and fittings in accordance with the latest SMACNA Standards.

Seams Pittsburgh

Connectors FS/D = Flat Slip and Drive
TDF = T-25b Rolled Form Flange

Reinforcement MPT= Midpoint Tie Rod
JTR= Joint Tie Rod

Louisiana CSI, LLC

Shop Standards for Rectangular Duct
Based on 3rd Edition SMACNA Standards



Static Pressure Class- 1"

MAX. WIDTH	CONNECTOR	Duct Lengths- Ga.				
		60"	48"	36"	30"	24"
10" - DOWN	FS/D	26	26	26	26	26
11 - 12"	FS/D	26	26	26	26	26
13 - 14"	ST-S/D	26	26	26	26	26
15 - 16"	ST-S/D	26	26	26	26	26
17 - 18"	ST-S/D	26	26	26	26	26
19 - 20"	ST-S/D	26	26	26	26	26
21 - 22"	ST-S/D	26	26	26	26	26
23 - 24"	ST-S/D	26	26	26	26	26
25 - 26"	ST-S/D	26	26	26	26	26
27 - 28"	ST-S/D	24	26	26	26	26
29 - 30"	ST-S/D	24	26	26	26	26
31 - 36"	TDF	22	24	24	26	26
37 - 42"	TDF	24 MPT	22	24	24	24
43 - 48"	TDF	22 MPT	20	22	22	24
49 - 54"	TDF	22 MPT	22 MPT	20	22	22
55 - 60"	TDF	20 JTR	22 MPT	20	20	22
61 - 72"	TDF	20 MPT/JTR	20 JTR	20 MPT	22 JTR	22 JTR
73 - 84"	TDF	20 2MPT/JTR	20 JTR	20 MPT	20 JTR	20 JTR
85 - 96"	TDF	20 2MPT/JTR	20 2MPT/JTR	20 JTR	20 JTR	20 JTR
97 - 108"	TDF	18 MPT/JTR	18 MPT/JTR	18 MPT/JTR	18	18
109 - 120"	TDF	18 MPT/JTR	18 MPT/JTR	18 MPT/JTR	18 JTR	18

Notes

LA-CSI rectangular galvanized ducts and fittings are fabricated using G-90-Lock Forming Quality
LA-CSI constructs ductwork and fittings in accordance with the latest SMACNA Standards.

Seams Pittsburgh

Connectors FS/D = Flat Slip and Drive
TDF = T-25b Rolled Form Flange

Reinforcement MPT= Midpoint Tie Rod
JTR= Joint Tie Rod

Louisiana CSI, LLC

Shop Standards for Rectangular Duct
Based on 3rd Edition SMACNA Standards



Static Pressure Class- 2"

MAX. WIDTH	CONNECTOR	Duct Lengths- Ga.				
		60"	48"	36"	30"	24"
10" - DOWN	FS/D	26	26	26	26	26
11 - 12"	FS/D	26	26	26	26	26
13 - 14"	ST-S/D	26	26	26	26	26
15 - 16"	ST-S/D	26	26	26	26	26
17 - 18"	ST-S/D	26	26	26	26	26
19 - 20"	ST-S/D	26	26	26	26	26
21 - 22"	ST-S/D	26	26	26	26	26
23 - 24"	ST-S/D	26	26	26	26	26
25 - 26"	ST-S/D	26	26	26	26	26
27 - 28"	ST-S/D	24	26	26	26	26
29 - 30"	ST-S/D	24	26	26	26	26
31 - 36"	TDF	22	24	24	26	26
37 - 42"	TDF	24 MPT	22	24	24	24
43 - 48"	TDF	22 MPT	20	22	22	24
49 - 54"	TDF	22 MPT	22 MPT	20	22	22
55 - 60"	TDF	20 JTR	22 MPT	20	20	22
61 - 72"	TDF	20 MPT/JTR	20 JTR	20 MPT	22 JTR	22 JTR
73 - 84"	TDF	20 2MPT/JTR	20 JTR	20 MPT	20 JTR	20 JTR
85 - 96"	TDF	20 2MPT/JTR	20 2MPT/JTR	20 JTR	20 JTR	20 JTR
97 - 108"	TDF	18 MPT/JTR	18 MPT/JTR	18 MPT/JTR	18	18
109 - 120"	TDF	18 MPT/JTR	18 MPT/JTR	18 MPT/JTR	18 JTR	18

Notes

LA-CSI rectangular galvanized ducts and fittings are fabricated using G-90-Lock Forming Quality
LA-CSI constructs ductwork and fittings in accordance with the latest SMACNA Standards.

Seams Pittsburgh

Connectors FS/D = Flat Slip and Drive
TDF = T-25b Rolled Form Flange

Reinforcement MPT= Midpoint Tie Rod
JTR= Joint Tie Rod

Louisiana CSI, LLC

Shop Standards for Rectangular Duct
Based on 3rd Edition SMACNA Standards



Black Iron

TDF - 10" W.G.		Duct Lengths- Ga.				
MAX. WIDTH	CONNECTOR	60"	48"	36"	30"	24"
8" - DOWN	Welded	16	16	16	16	16
9 - 10"	Welded	16	16	16	16	16
11 - 12"	Welded	16	16	16	16	16
13 - 14"	Welded	16	16	16	16	16
15 - 16"	Welded	16	16	16	16	16
17 - 18"	Welded	16	16	16	16	16
19 - 20"	Welded	16	16	16	16	16
21 - 22"	Welded	16	16	16	16	16
23 - 24"	Welded	16	16	16	16	16
25 - 26"	Welded	16	16	16	16	16
27 - 28"	Welded	16	16	16	16	16
29 - 30"	Welded	16	16	16	16	16
31 - 36"	Welded	16	16	16	16	16
37 - 42"	Welded	16	16	16	16	16
43 - 48"	Welded	16	16	16	16	16
49 - 54"	Welded	16	16	16	16	16
55 - 60"	Welded	16	16	16	16	16
61 - 72"	Welded	16	16	16	16	16
73 - 84"	Welded	16	16	16	16	16
85 - 96"	Welded	16	16	16	16	16
97 - 108"	Welded	16	16	16	16	16
109 - 120"	Welded	16	16	16	16	16

Notes

LA-CSI rectangular galvanized ducts and fittings are fabricated using G-90-Lock Forming Quality

LA-CSI constructs ductwork and fittings in accordance with the latest SMACNA Standards.

Seams Pittsburgh

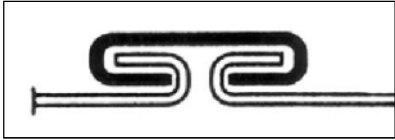
Connectors FS/D = Flat Slip and Drive
TDF = T-25b Rolled Form Flange

Reinforcement MPT= Midpoint Tie Rod
JTR= Joint Tie Rod

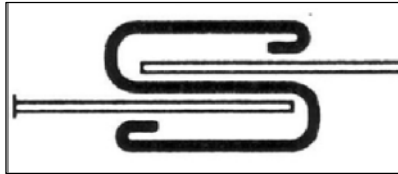


Connector Types

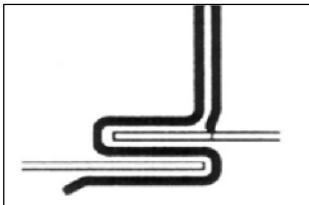
T-1 Drive



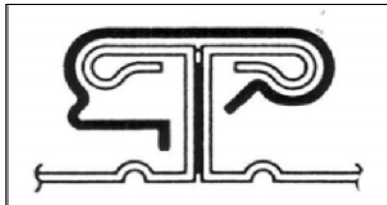
T-6 'S' Slip



T-11 Standing 'S'

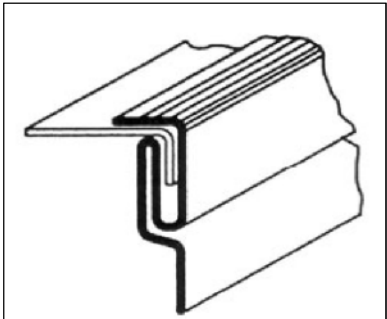


TDF

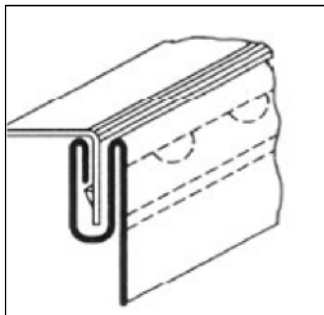


Seam Types

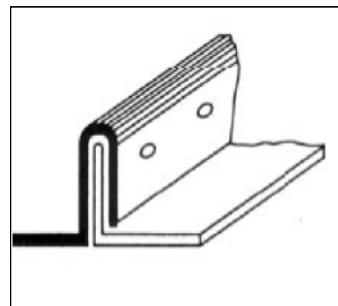
Pittsburgh



Snap Lock



Standing Seam





Tie Rods

